



104-102

Maverick



Elongated Front, SmartHeight™
Vitreous China, Two-Piece Toilet



Model 104-102
Shown in White with
SB 1175 SmartClose™
Toilet Seat

Features

- Featuring a High Volume Three-Inch Flush Valve
- 1.6 Gpf / 6.0 Lpf
- Wide 2-1/8" Fully Glazed Trapway
- 12" Rough-in
- Large Water Surface Area
- High Performance MagnaFlush II™ Flushing Technology
- Available in White, Standard, Premium and Designer Colors (Consult Price Book for Specific Colors)
- Model 51 Side Mounted Chrome Plated, Metal Trip Lever on 102 Tank (Consult Price Book for Additional Finishes)
- Upgrade with a Color-Match SmartClose™ or Primo™ Toilet Seat
- Outstanding Protection - The Mansfield® Limited Lifetime Warranty

Model Numbers

Order No.	Description	Net Wt.
104-102	Elongated front, SmartHeight™ (1.6 Gpf/6.0 Lpf) two-piece toilet. Features large 2-1/8" trapway and 3" flush valve. Includes tank trim and side-mounted chrome plated metal trip lever. Less toilet seat and supply. Specify color.	91 lbs. (41 kg)
104	Elongated front, SmartHeight™ toilet bowl only. 12" rough-in. Less toilet seat. Specify color.	60 lbs. (27 kg)
102	Tank and cover only with left hand, polished chrome, metal trip lever. Less supply. Specify color.	31 lbs. (14 kg)
102RH	Same as 102 except with right hand, polished chrome, metal trip lever. Less supply. Specify color.	31 lbs. (14 kg)
109	Same as 102 except with tank liner.	31 lbs. (14 kg)
SB1175	Elongated, SmartClose™ toilet seat.	5.5 lbs. (2 kg)
SB1200	Elongated, Primo™ toilet seat.	5.5 lbs. (2 kg)



MagnaFlush II™

SmartHeight™

104-102

Maverick

Elongated Front, SmartHeight™
Vitreous China, Two-Piece Toilet

Features and Upgrades

MagnaFlush II™ Flushing Technology

Featuring an extra large 3" flush valve, a pilot operated fill valve and our optimized 2-1/8" trapway, MagnaFlush II flushing technology offers a fast and powerful flush - every time. Ideal for residential and commercial use. MagnaFlush™ II - Performance Without Compromise.

MagnaFlush II™

M400 Anti-Siphon Fill Valve

The M400 fill valve operates efficiently at low or high water pressures. Featuring a patented flow regulator and debris filter and positive shut-off for added functionality. Easily adjustable to retain optimum water level.



206 Flush Valve

Our newest 3" flush valve features a high volume flow rate for a quick and quiet flush action. Designed for maximum performance, it offers more than twice the potential flow rate of a conventional two-inch flush valve. Non-corrosive and durable, it will provide years of dependable use.



Add a Toilet Seat

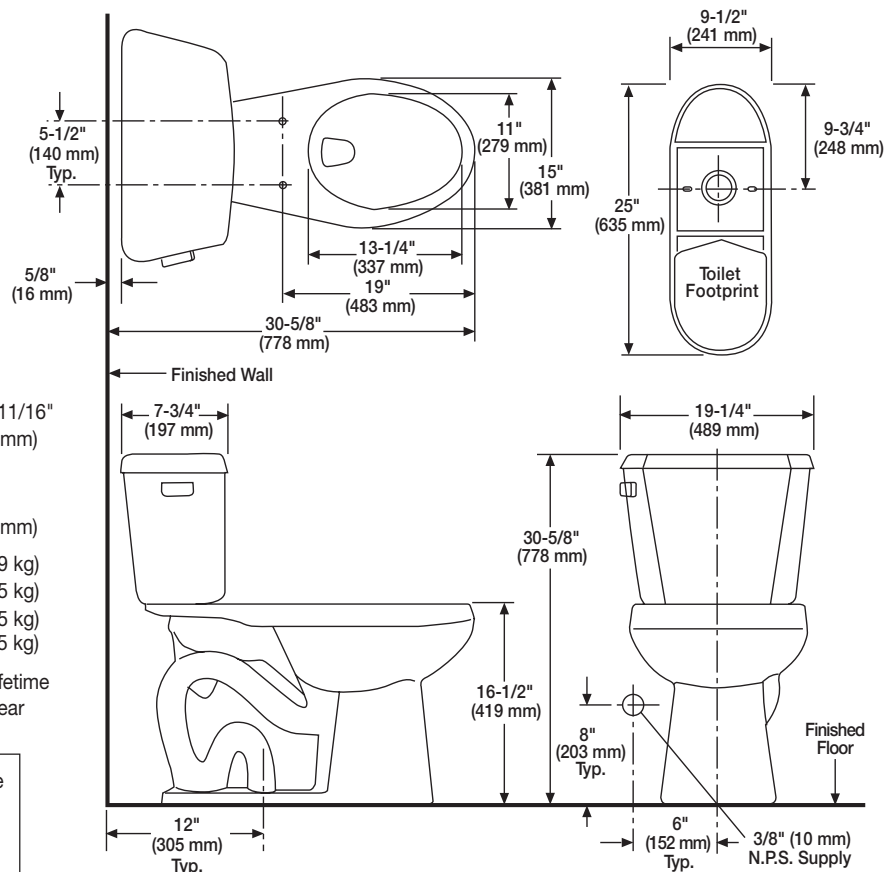
With a simple touch, Mansfield's newest SmartClose™ toilet seat closes gently and quietly. Or upgrade your toilet with a popular Primo™ toilet seat. Made of durable, high impact, heavy-duty plastic. For all applications - Get More, Get Mansfield®.



Technical Information

Specifications

Material	Vitreous China
Water Pressure Range	15 to 125 P.S.I.
Flush System	MagnaFlush II™ Flushing Technology
Water Usage	1.6 Gpf / 6.0 Lpf
Water Surface Area	7-3/4" x 10-3/4"
Trap Diameter	2-1/8"
Trap Seal	3-1/8"
Rough-In	12"
Shipping Dimensions	Model 104 28-13/16" x 15-3/4" x 17-11/16" (732 mm x 400 mm x 449 mm) Model 102 / 102RH / 109 19-3/4" x 10" x 14-3/4" (502 mm x 254 mm x 375 mm)
Shipping Weight	Model 104 - 63 lbs. (29 kg) Model 102 - 34 lbs. (15 kg) Model 102RH - 34 lbs. (15 kg) Model 109 - 34 lbs. (15 kg)
Warranty	Vitreous China - Limited Lifetime Tank Trim - Limited One Year



Install this product according to the installation guide.
Fixture dimensions are nominal and conform to tolerances in ASME Standard A112.12.2.



See our complete line of acrylic, vitreous china, kitchen fixtures, brass fittings, plastic tank trim and plumbing products.

Mansfield® Plumbing Products LLC • Sales Services Toll Free 877-850-3060 • Fax 419-938-6234
Website: www.mansfieldplumbing.com • Email: custserv@mansfieldplumbing.com

Form No. M101402 Printed in U.S.A. 3/06
© 2006 Mansfield Plumbing Products LLC

These dimensions are nominal and are subject to change without prior notice.

Fixture performance and specifications meet or exceed, ANSI/ASME A112.19.2 and CAN/CSA B45 standards, and other state and local codes.