



149-119

EcoQuantum™



Elongated Front, Pressure-Assist, Dual Flush, Back Outlet, Two-Piece Toilet



Features

- Contemporary Design with Gentle Curves
- Dual Flush High Efficiency Toilet (HET)
- Dual Action Trip Lever
 - Press Down for High Efficiency Flush - 1.1 Gpf / 4.0 Lpf
 - Lift up for Full Flush - 1.6 Gpf / 6.0 Lpf
- High Performance, Pressure-Assist, EcoFlush™, Dual Flushing Technology
- Outstanding Protection - The Mansfield® Limited Lifetime Warranty
- Available in White and Standard Colors (Consult Price Book for Specific Colors)
- Model 50 Chrome Plated Metal Trip Lever (Consult Price Book for Additional Finishes)

Model 149-119 Shown in White with SB1200 Primo™ Toilet Seat

Model Numbers

Order No.	Description	Approx. Wt.
149-119	Elongated front, back outlet, two-piece, dual flush (1.1 Gpf/1.6 Lpf), pressure-assist toilet. Tank fittings, chrome plated metal trip lever, less toilet seat and supply. Specify color.	100 lbs. (46 kg)
149	Elongated front, back outlet toilet bowl only. Less toilet seat. Specify color.	57 lbs. (26 kg)
119	Dual flush, pressure-assist tank and cover only with left hand, chrome plated metal trip lever. Less supply. Specify color.	43 lbs. (20 kg)
119RH	Same as model 119, except with right hand, chrome plated metal trip lever.	43 lbs. (20 kg)
119CL	Same as model 119, except with cover lock.	43 lbs. (20 kg)
119RHCL	Same as model 119CL, except with right hand, chrome plated metal trip lever.	43 lbs. (20 kg)
SB1175	Elongated Front SmartClose™ toilet seat.	5.5 lbs. (2 kg)
SB1200	Elongated Front Primo™ toilet seat.	5.5 lbs. (2 kg)



ECOFLUSH™

HIGH EFFICIENCY TOILET

HET

149-119

EcoQuantum™

Elongated Front, Pressure-Assist,
Dual Flush, Back Outlet, Two-Piece Toilet

Features and Upgrades

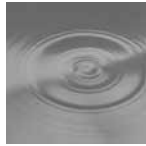
Dual Flush Technology

The ultimate in water conservation is a high efficiency toilet (HET). Push down for 1.1 Gpf/4.0 Lpf or pull up for 1.6 Gpf/6.0 Lpf per flush. A quiet and powerful flush - everytime. Reliable savings without compromise.



Conservation

Save up to 40% more water than conventional 1.6 Gpf/6.0 Lpf flushing systems. By conserving water you can more effectively manage business and residential resources, save money and make a positive contribution to the environment.



High Performance

The new dual flush, pressure-assist, vessel delivers outstanding performance at both 1.1 Gpf/4.0 Lpf and 1.6 Gpf/ 6.0 Lpf. Meets or exceed all ANSI/ASME performance criteria. Pneumatic actuator for Easy-Touch flushing action and reliable operation.



Add a Toilet Seat

With a simple touch, Mansfield's newest SmartClose™ toilet seat closes gently and quietly. Or upgrade your toilet with a popular Primo™ toilet seat. Made of durable, high impact, heavy-duty plastic. For all applications - Get More, Get Mansfield®.



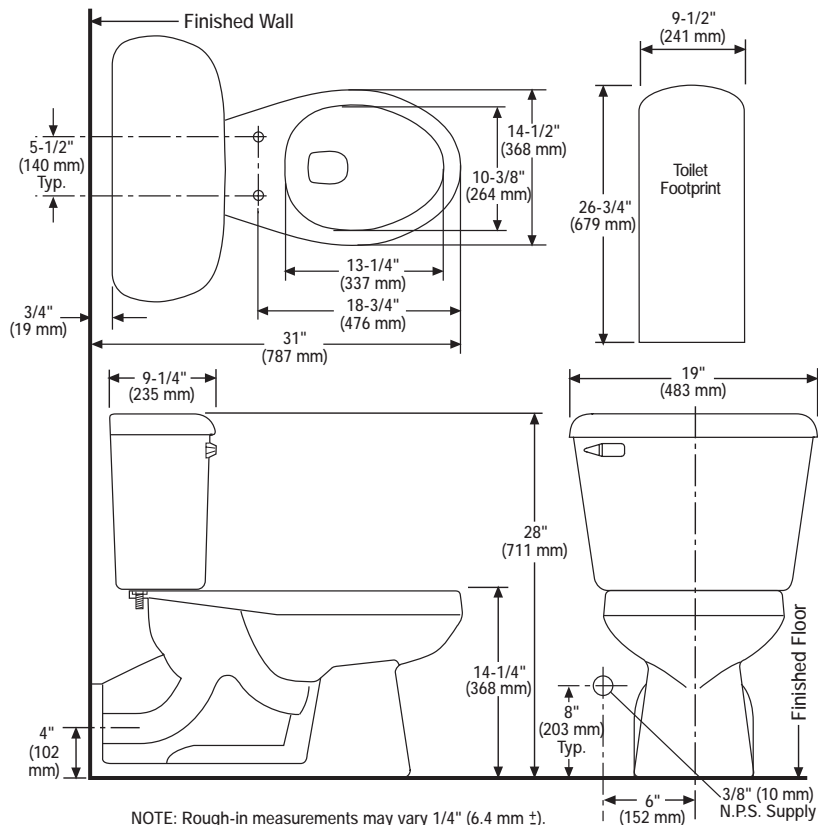
Technical Information

Specifications

Material	Vitreous China
Water Pressure Range	20 to 125 Static P.S.I.
Flush System	EcoFlush™ Dual Flushing Technology
Water Usage	1.1 Gpf / 4.0 Lpf 1.6 Gpf / 6.0 Lpf
Water Surface Area	9-7/8" x 12-1/4"
Trap Diameter	2"
Trap Seal	2-7/8"
Shipping Dimensions	Model 149 32-1/4" x 16-1/8" x 15-1/4" (819 mm x 410 mm x 387 mm) Model 119/119RH/119CL/119RHCL 21" x 11-3/8" x 17-3/4" (533 mm x 289 mm x 451 mm)
Shipping Weight	Model 149 - 61 lbs. (28 kg) Model 119/119RH/119CL/119RHCL - 47 lbs. (21 kg)
Warranty	Vitreous China- Lifetime Tank Trim - Five Year Limited

These dimensions are nominal and are subject to change without prior notice.

Fixture performance and specifications meet or exceed, ANSI/ASME A112.19.2 and CSA B45 standards, and other state and local codes.



See our complete line of acrylic, vitreous china, cast iron and enameled steel bathroom and kitchen fixtures, plastic tank trim and plumbing products.



Mansfield® Plumbing Products LLC • Sales Services Toll Free 877-850-3060 • Fax 419-938-6234
Website: www.mansfieldplumbing.com • Email: custserv@mansfieldplumbing.com

Form No. M149119 Printed in U.S.A. 4/05
© 2005 Mansfield Plumbing Products LLC