



487NS

New Grand Barron

Grand, Oval, Vitreous China
Pedestal Lavatory



Features

- Contemporary Styling
- Large 26-1/2" x 20-1/2" Pedestal Lavatory
- Available with 4" or 8" Faucet Centers
- Comfortable 34-1/4" High
- Concealed Front Overflow
- One-Piece Metal Hanger Included
- Available in White and Standard Colors (Consult Price Book for Specific Colors)
- Outstanding Protection - The Mansfield® Limited Lifetime Warranty
- Other Models Available Include the 485 Barron, 485NS New Barron and 487 Grand Barron Pedestal Lavatories

Model 487NS-4
Shown in White
(Less faucet, drain
assembly and supply)

Model Numbers

Order No.	Description	Approx. Wt.
487NS	26-1/2" x 20-1/2" Lavatory with pedestal. Available in 4" and 8" faucet centers. Hanger included. Less faucet, drain assembly and supply. Specify color.	60 lbs. (27 kg)
456-4	26-1/2" x 20-1/2" Lavatory with 4" faucet centers. Less faucet, drain assembly and supply. Specify color.	40 lbs. (18 kg)
456-8	Same as above with 8" faucet centers. Specify color.	40 lbs. (18 kg)
413	Pedestal only. Specify color.	21 lbs. (10 kg)



487NS

New Grand Barron

Grand, Oval, Vitreous China
Pedestal Lavatory

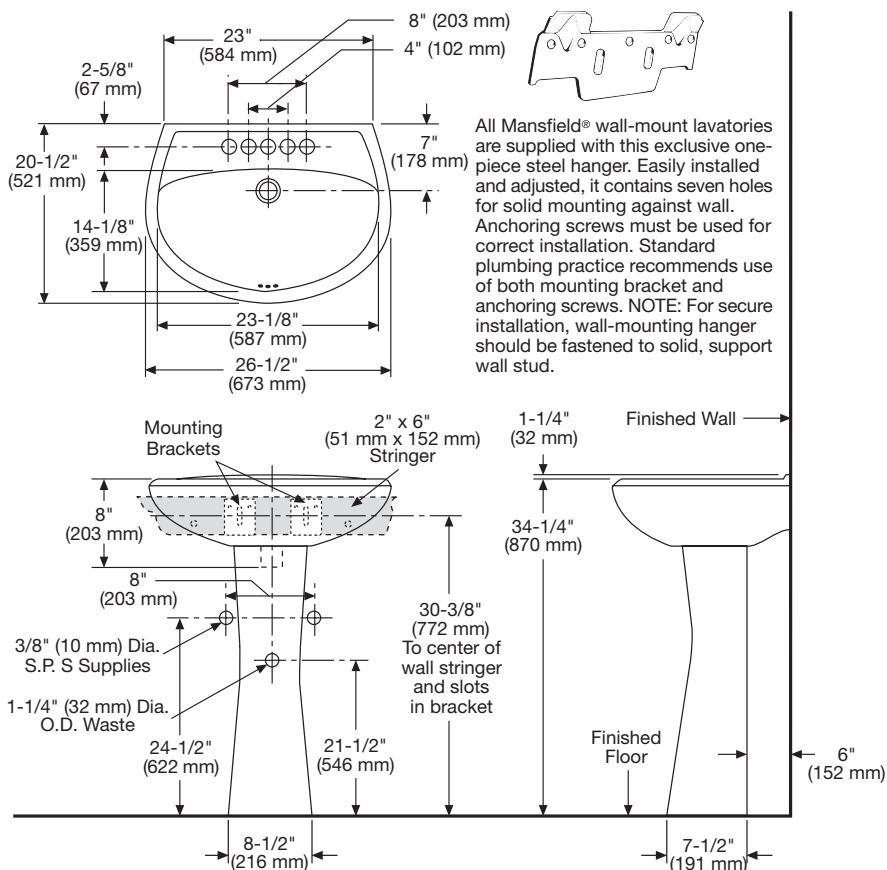
Technical Information

Specifications

Material	Vitreous China
Size	26-1/2" x 20-1/2" (673 mm x 521 mm)
Basin	23-1/8" x 14-1/8" (587 mm x 359 mm)
Faucet Holes	4" Faucet Centers 1-1/4" (All Holes) 8" Faucet Centers 1-7/16" (All Holes)
Shipping Dimensions	Model 456 9-1/4" x 26-1/2" x 21-5/8" (235 mm x 673 mm x 549 mm) Model 413 31-1/2" x 9-3/8" x 11" (800 mm x 238 mm x 279 mm)
Shipping Weight	Model 456 - 44 lbs. (20 kg) Model 413 - 24 lbs. (11 kg)
Warranty	Limited Lifetime

These dimensions are nominal and are subject to change without prior notice.

Fixture performance and specifications meet or exceed, ANSI/ASME A112.19.2 and CSA B45.3 standards, and other state and local codes.



All Mansfield® wall-mount lavatories are supplied with this exclusive one-piece steel hanger. Easily installed and adjusted, it contains seven holes for solid mounting against wall. Anchoring screws must be used for correct installation. Standard plumbing practice recommends use of both mounting bracket and anchoring screws. NOTE: For secure installation, wall-mounting hanger should be fastened to solid, support wall stud.

See our complete line of acrylic, vitreous china, enameled steel bathroom and kitchen fixtures, brass fittings, plastic tank trim and plumbing products.

Mansfield
performance for a lifetime™

Mansfield Plumbing Products LLC • Sales Services Toll Free 877-850-3060 • Fax 419-938-6234
Website: www.mansfieldplumbing.com • Email: custserv@mansfieldplumbing.com

Form No. M487NS Printed in U.S.A. 11/05
© 2005 Mansfield Plumbing Products LLC